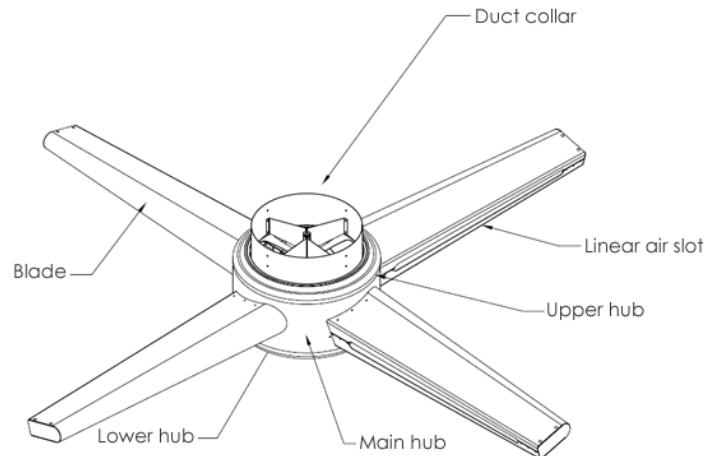


## Product Details

### Features

- Heavy gauge aluminum hub and blade construction.
- Upper and lower hub is spun for rigidity and appearance.
- Blades are engineered and formed to allow for great aerodynamics.
- Dual self-aligning oil-lite bushings.
- Dual high quality thrust bearings.
- Upper collar constructed of heavy gauge galvanized metal for a more secure connection.
- Large selection of accessories and add-ons for new construction and building upgrades.
- Standard powder coated colors of white, black, copper and aluminum. Custom colors are available to match any architectural needs.
- Aluminum construction keeps the weight down to allow for ease of installation.



Model	Weight (lbs.)
12" Dynamic Air Diffuser	15
10" Dynamic Air Diffuser	12.6
8" Dynamic Air Diffuser	8.8

## Product Nomenclature

