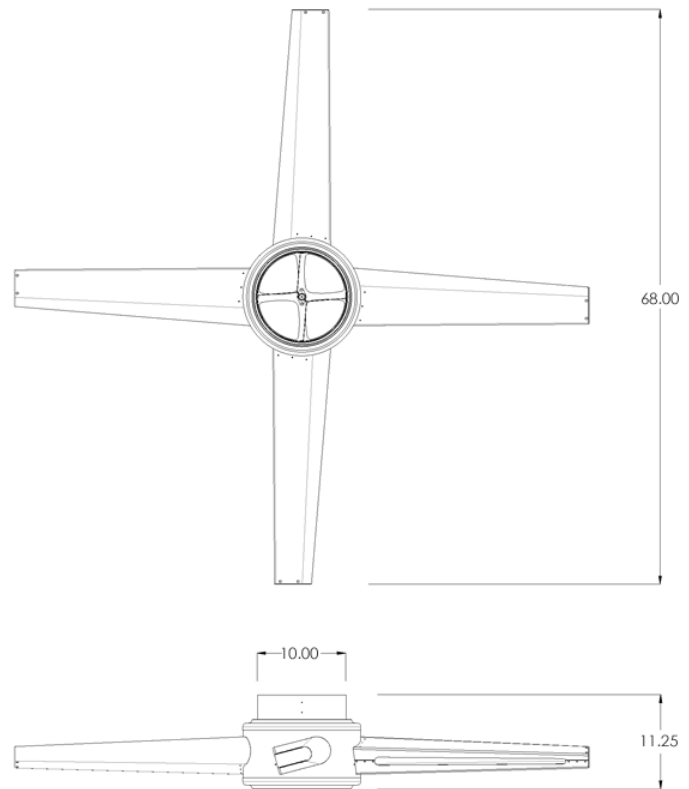


Product Information

The Dynamic Air Diffuser acts as both an air diffuser and a ceiling fan by utilizing the forced air from the operating HVAC units in your building. The Dynamic Air Diffuser requires no power to operate therefore saving in operating costs as well as installation and material costs. With the Dynamic Air Diffuser running at greater CFM's in the duct system, Rev-Air Innovations is able to show that less duct runs will be added at design time, again saving money on materials, installation and balancing. You would think that adding greater cfm's through the duct that noise would become an issue, but the Dynamic Air Diffuser not only performs at low NC values but distributes a throw of air greater than that of your average static diffuser. The air is distributed from the ductwork into the hub of the Dynamic Air Diffuser into the blades and through the engineered linear slots thus turning the hub and blades. This innovative design will prevent the irritating hot and cold spots that we see when improper duct and static diffusers are used. The blade design and angle of the blade was engineered for optimal de-stratification of the air above in the ceiling space. Buy mixing this stratified air with the newly conditioned air; we can assist in providing a more 'floor to ceiling' even temperature. The Dynamic Air Diffuser will not only provide more comfort in conditioned spaces but will add architectural design to any building, while at the same time, saving you money.



Product Performance Data

Airflow CFM	255	368	440	512	702
Blade RPM	27	35	45	54	74
Static Pressure	0.05	0.09	0.10	0.18	0.34
Velocity Pressure	0.01	0.02	0.03	0.04	0.09
Total Pressure	0.06	0.11	0.13	0.22	0.43
Throw in feet	1-3-8	2-4-9	2-5-10	3-7-11	4-8-12
NC Rating	21	33	35	42	51

*All pressures are given in w.g. All measurements are given in inches.

*Throw values for the 10" D.A.D. are based on an exposed installation at 13' A.F.F.

*Hash marks (--) indicate an NC rating < 20